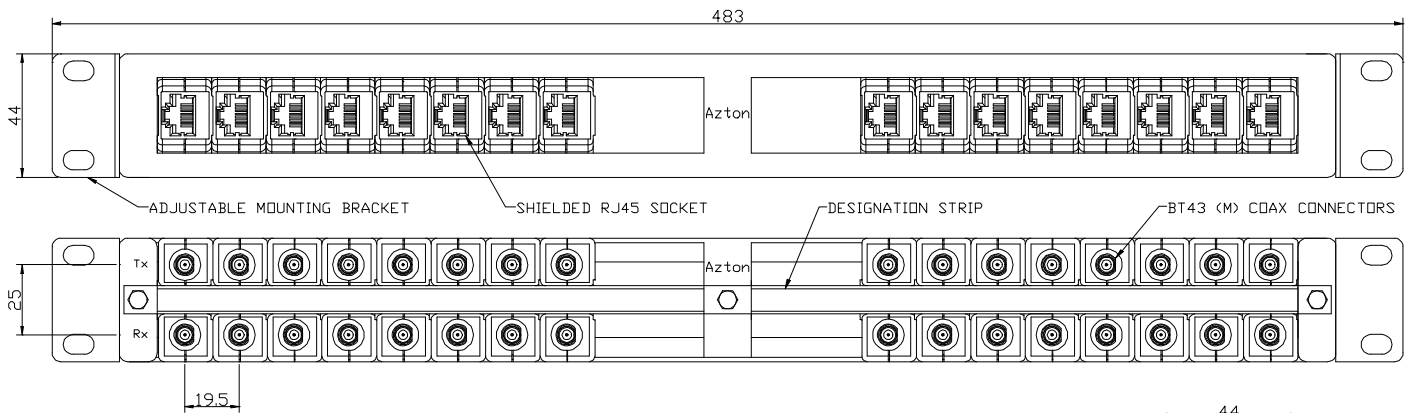
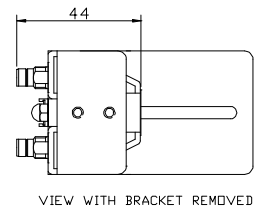


Modular Balun Panel, 75/120W, E1 & E2, Shielded, 19" 1RU 32x BT43 (m) to 16x RJ45 (f)



PRODUCT DESCRIPTION

This rack mounting Balun Panel converts 16 G.703 E1 or E2 Tx and Rx pairs from unbalanced 75Ω coaxial to balanced 120Ω twisted pair transmissions. A bi-directional device requiring no external power, it connects telecommunications equipment with mismatched interfaces or facilitates the conversion from coaxial to twisted pair distribution wiring. Modular construction allows the user to hot swap modules for other bit rates, functions or interfaces. In addition this product offers the following features:-



- coax to twisted pair conversion
- hot swap modules
- > 33dB return loss 0.3 to 3MHz
- exceeds G.703 requirements
- shielded construction
- BT43 (m) to shielded RJ45
- mix module function and interface
- < 0.15dB E1 insertion loss
- 75Ω to 120Ω impedances
- designed for long life
- converts 16 E1/E2 channels
- 2 and 8Mbit/s data rates
- > 70dB cross talk
- uses Azton D23BB05 dual balun
- built for high reliability

OPERATING CONDITIONS

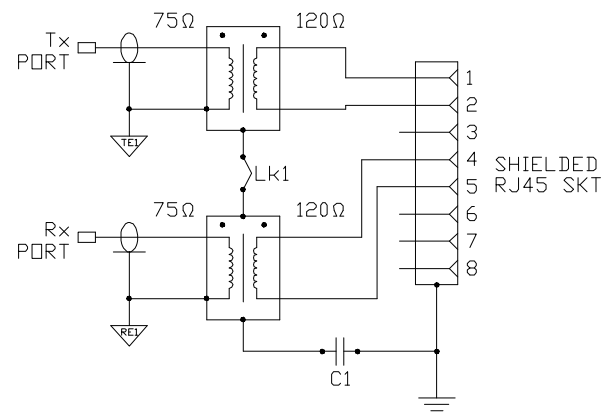
Matching Impedance:	75 ohm unbalanced coaxial to 120 ohm balanced twisted pair
Bit Rate:	2Mbit/s (E1) and 8Mbit/s (E2) per ITU-T G.703 Line Code
Signal Level:	2.37V nominal peak voltage at the coaxial end per G.703
Working Temperature:	-30°C to 75°C

ELECTRICAL SPECIFICATIONS

Insertion Loss:	< 0.15dB from 51kHz to 3.072MHz (2Mbit/s, E1) and < 0.20dB from 211kHz to 12.673MHz (8Mbit/s, E2) in both directions
Return Loss:	Exceeds G.703 requirements by > 13dB for 2Mbit/s and > 8dB for 8Mbit/s
Pulse Shape:	Exceeds G.703 requirements for 2Mbit/s and 8Mbit/s
Cross Talk:	> 70dB from 51kHz to 12.673MHz between channels
Isolation Voltage:	< 250V DC

MECHANICAL SPECIFICATIONS

Coaxial Connector:	Type43 male to BS9210 F0022 Outer Contact: Brass, Plated Cu/Ni5/Au0.8 Pin: Brass, Plated Cu/Ni5/Au1.25 Insulator: Teflon Mating Cycles: 500min
RJ45 Connector:	Contacts: Phosphor Bronze, Plated Ni/Au Moulding: PBT Glass Filled, Black Shield: Brass, Plated Sn
Mouldings:	ABS-PC, Black
Panel:	Steel, Zinc Sealed and Powder Coated Black



ACCESSORIES

Mounting Brackets:	For 21" and 23" racks
Dual Balun Modules:	For alternative coax connectors or bit rates